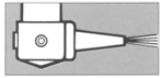
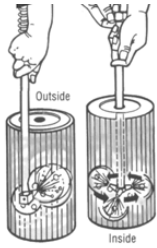



SPPW405

2 in 1 Swimming Pool Plug Wrench Features:

- Fits 1 1/2" or 2" cleanout plugs.
- 31" long.
- Removable 18" plated steel handle.
- Heavy duty, powder coated steel to resist rust and corrosion.
- No welds to corrode.

Part Number	Description	Ctn Qty	List Price
SPPW405	1 1/2" / 2" pool plug wrench with handle	24	\$ 67.31
SPPW405H	Replacement handle only for SPPW405	250	8.36


MBC75

Master Blaster Cleaner Features:

- 3/4" FGHT connection.
- Handy on/off lever.
- For general pool/spa cleanup of filters, under copings.

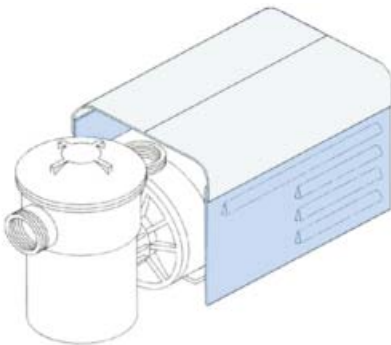
Part Number	Description	Size	Ctn Qty	List Price
MBC75	Master Blaster Cleaner	3/4"	12	\$ 23.57


AGLFB19

Ladder Bumper Features:

- White, molded EPDM.

Part Number	Description	Fits Tubes	Ctn Qty	List Price
AGLFB19	Male Ladder bumper	1.9" OD	200	\$ 8.94


B8200C

Universal Motor Cover Features:

- Fits all motors from 1/3 hp to 2 hp.
- Shields and protects outdoor motors from sun, rain and dust.
- Made of heavy duty plastic for long life and durability.
- Heat resistant white top and attractive blue sides.
- Sturdy, will not fade from sun or ultraviolet rays.
- Assembles in minutes. No tools needed.

Part Number	Description	Ctn Qty	List Price
B8200C	Universal Motor Cover	12	\$ 55.95